

REMA YA mini ratchet hoist



The REMA YA ratchet hoist is an extremely robust ratchet hoist for hoisting, pulling, tensioning and lashing in all directions. With one simple action the ratchet hoist can be set in its freewheel.

Properties

- Very low self weight, compact dimensions.
- The rotatable top and bottom hook are provided with safety latches.
- In case of overload, the hooks will gradually bend and do not suddenly break off.
- Self locked brake that holds the load at any desired height.
- Freewheel is possible in unloaded condition.
- Freewheel by one simple action.
- The hoist is fitted with a rubber anti-slip handle.
- Galvanized load chain (Grade 10).

Standard delivery

- 1,5 m lifting height (max distance between top and bottom hookpositions).

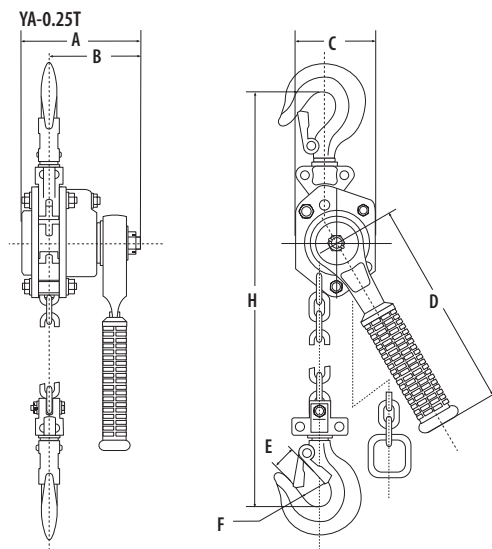
Option

- Available in other lifting heights.

Norm:

- EN12100-1/2, EN13157, EN818-7

Only weighs 2 kg with 1,5 meter Lifting



Type	WLL (kg)	Hand force max. (kg)	Load chain (mm)	Number of falls	Construction height (mm)	Weight (kg)	ProductId
YA-250KG	250	30	4.0 x 12.0	1	235	2.0	0208000

Type	A (mm)	B (mm)	C (mm)	D (mm)	E (mm)	F (mm)	H (mm)
YA-250KG	91	70	60	155	23	31	235